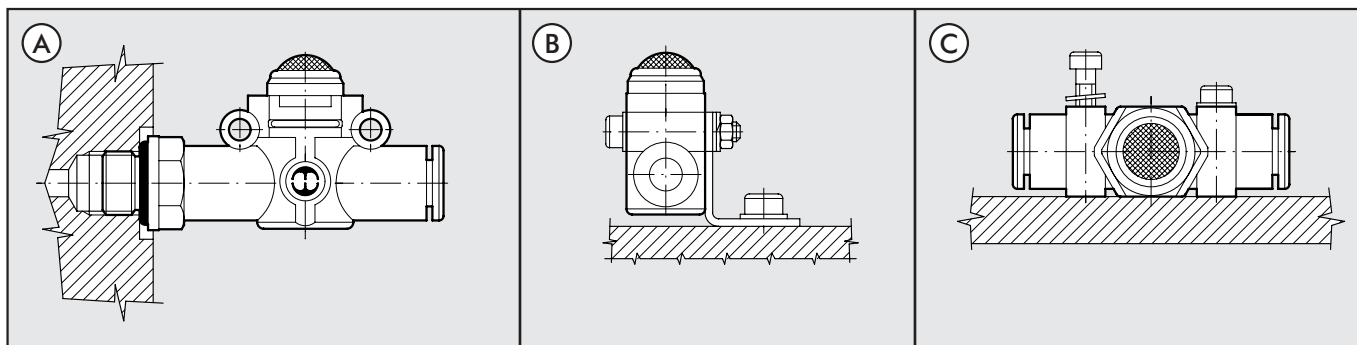




ASSEMBLY OPTIONS

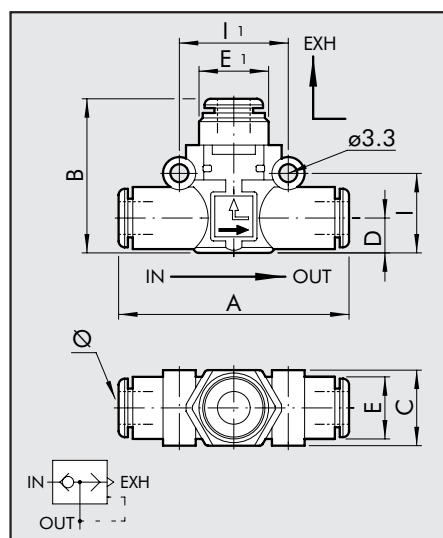


How to mount the VSR L:

- Fig. A: With the male threaded port it is possible to mount the RFL R straight onto the actuator.
- Fig. B: Fixing to the plate with the special SQU L bracket.
- Fig. C: There are two robust rings on the plastic body for fixing the RFL R straight onto the wall.

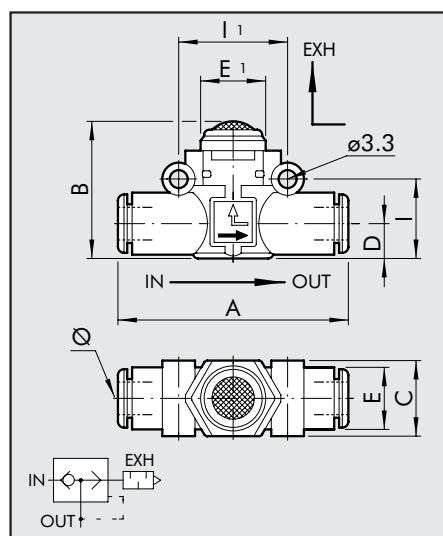
OVERALL DIMENSIONS AND ORDERING CODES

VSR L PIPE-PIPE, CONVEYED EXHAUST



Code	Ref.	Ø	A	B	C	D	E	E1	I	I1
9063001	VSR L 4-4-4	4	42	25.8	10.7	5.6	10	9.7	12.8	16
9063016	VSR L 6-6-6	6	49.4	30.2	14.7	6.4	11.4	13	14.6	20
9063024	VSR L 8-8-8	8	57.3	35.9	18.7	9.1	13.8	15	18.7	24

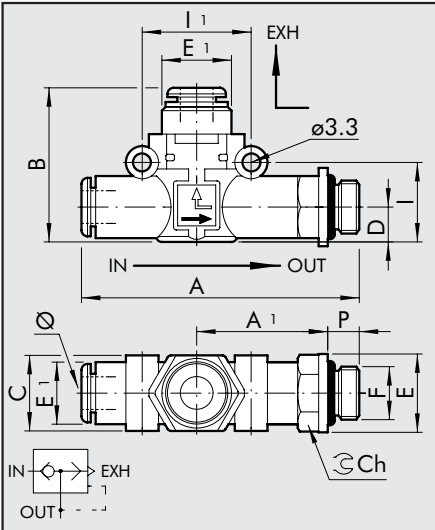
VSR L PIPE-PIPE, SILENCED EXHAUST



Code	Ref.	Ø	A	B	C	D	E	E1	I	I1
9063101	VSR L 4-4-SIL	4	42	19.8	10.7	5.6	10	10	12.8	16
9063116	VSR L 6-6-SIL	6	49.4	25.5	14.7	6.4	11.4	14	14.6	20
9063124	VSR L 8-8-SIL	8	57.3	31.5	18.7	9.1	13.8	18	18.7	24

**VSR L PIPE-THREAD,
CONVEYED EXHAUST**

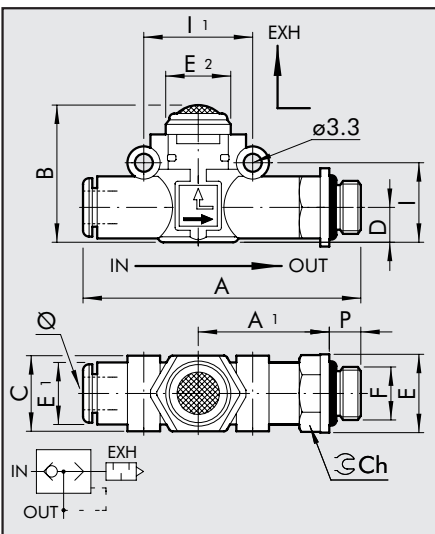
Code	Ref.	Ø	F	P	A	A1	B	C	D	E	E1	E2	I	I1	Ch
------	------	---	---	---	---	----	---	---	---	---	----	----	---	----	----



9063201	VSR L 4-M5-4	4	M5	4	47.7	22.7	25.8	10.7	5.6	9.9	10	9.7	12.8	16	9
9063202	VSR L 4-1/8-4	4	1/8	6	51.6	24.6	25.8	10.7	5.6	14	10	9.7	12.8	16	12
9063208	VSR L 6-1/8-6	6	1/8	6	58.5	27.8	30.2	14.7	6.4	14	11.4	13	14.6	20	12
9063209	VSR L 6-1/4-6	6	1/4	8	61.5	28.8	30.2	14.7	6.4	18	11.4	13	14.6	20	14
9063210	VSR L 8-1/8-8	8	1/8	6	66.2	31.8	35.9	18.7	9.1	15	13.8	15	18.7	24	14
9063211	VSR L 8-1/4-8	8	1/4	8	70.6	34.2	35.9	18.7	9.1	18	13.8	15	18.7	24	14
9063212	VSR L 8-3/8-8	8	3/8	9	72.2	34.8	35.9	18.7	9.1	22	13.8	15	18.7	24	17

**VSR L PIPE-THREAD,
SILENCED EXHAUST**

Code	Ref.	Ø	F	P	A	A1	B	C	D	E	E1	E2	I	I1	Ch
------	------	---	---	---	---	----	---	---	---	---	----	----	---	----	----



9063301	VSR L 4-M5-SIL	4	M5	4	47.7	22.7	19.8	10.7	5.6	9.9	10	10	12.8	16	9
9063302	VSR L 4-1/8-SIL	4	1/8	6	51.6	24.6	19.8	10.7	5.6	14	10	10	12.8	16	12
9063308	VSR L 6-1/8-SIL	6	1/8	6	58.5	27.8	25.5	14.7	6.4	14	11.4	14	14.6	20	12
9063309	VSR L 6-1/4-SIL	6	1/4	8	61.5	28.8	25.5	14.7	6.4	18	11.4	14	14.6	20	14
9063310	VSR L 8-1/8-SIL	8	1/8	6	66.2	31.8	31.5	18.7	9.1	15	13.8	18	18.7	24	14
9063311	VSR L 8-1/4-SIL	8	1/4	8	70.6	34.2	31.5	18.7	9.1	18	13.8	18	18.7	24	14
9063312	VSR L 8-3/8-SIL	8	3/8	9	72.2	34.8	31.5	18.7	9.1	22	13.8	18	18.7	24	17

NOTE